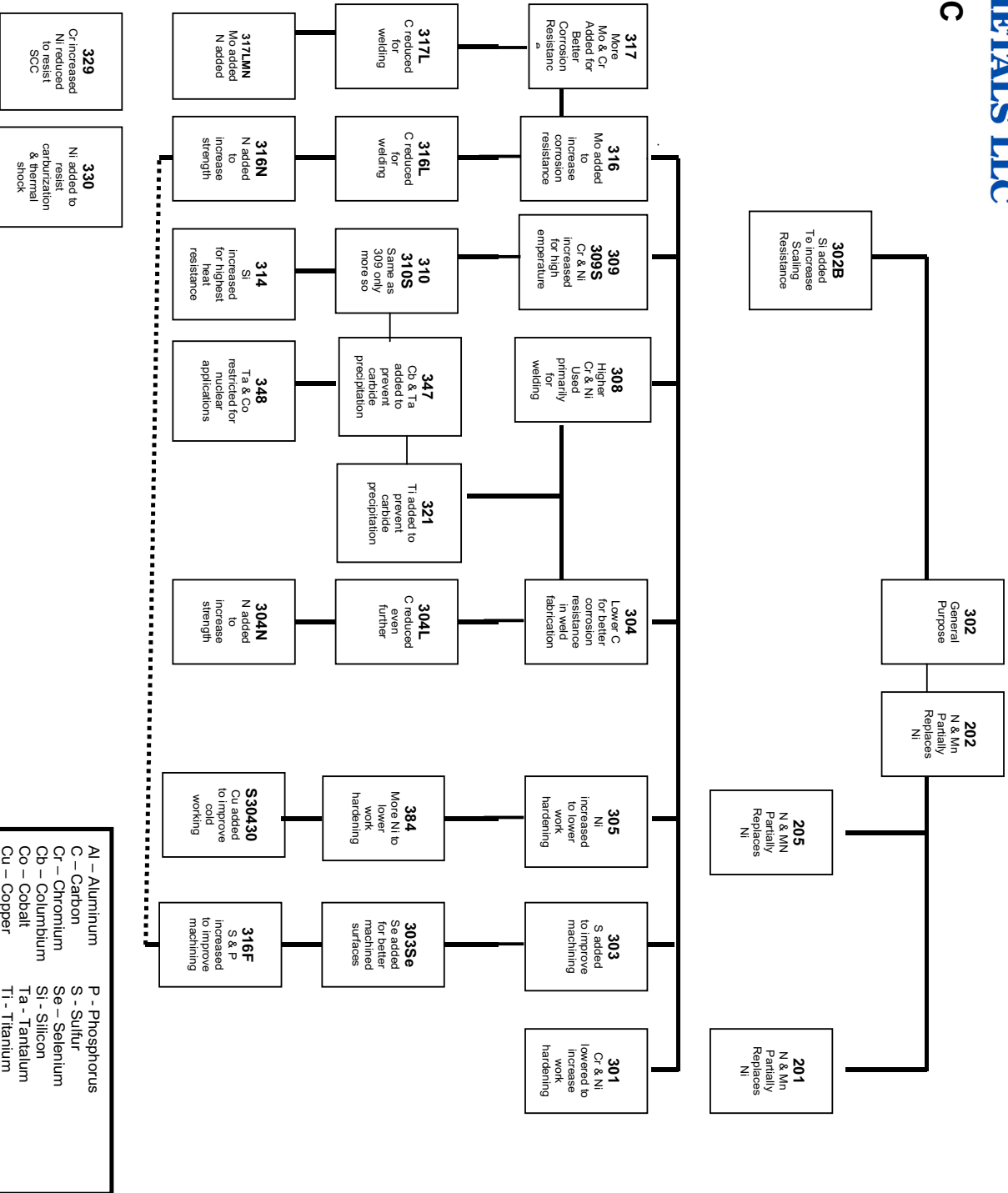


AUSTENITIC



Al - Aluminum	P - Phosphorus
C - Carbon	S - Sulfur
Cr - Chromium	Se - Selenium
Cb - Columbium	Si - Silicon
Co - Cobalt	Ta - Tantalum
Cu - Copper	Ti - Titanium
Mn - Manganese	V - Vanadium
Mo - Molybdenum	W - Tungsten
N - Nitrogen	SCC - Stress - Corrosion Cracking
Ni - Nickel	

<http://www.BerlinMetals.com>
Updated 10/1/2000

3200 Sheffield Avenue, Hammond, Indiana 46327-1002
Phone 219/933-0111 • 800/SLIT TMP (754-8867) • Fax 219/933-0692